

# SPECIFICATIONS – A-ABS015



## Square Hand Shower

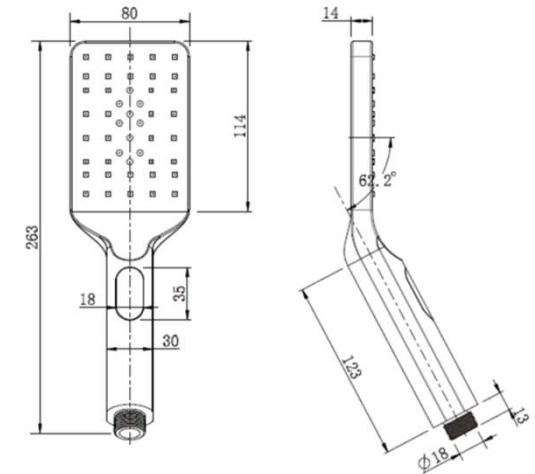
### Features



- WELS 3 Star, 9.0L/Min - Registration number S14833
- Chrome - A-ABS015
- Black - A-ABS015BK
- Silver Nickel - A-ABS015SN
- Brushed Bronze - A-ABS015BM
- 1yr parts and labour warranty
- 15 years replacement warranty including finish

### Cleaning & Care

- Regularly clean with mild soapy water
- Do not use harsh detergents, bleach or abrasive cleaners
- The use of any unsuitable cleaning products may damage the surface
- Refer to installation guide for correct installation
- Check for any product defects prior to installation



### Available in



Chrome



Matt Black



Brushed Nickel



Brushed Bronze