

SPECIFICATIONS – A-DEX48



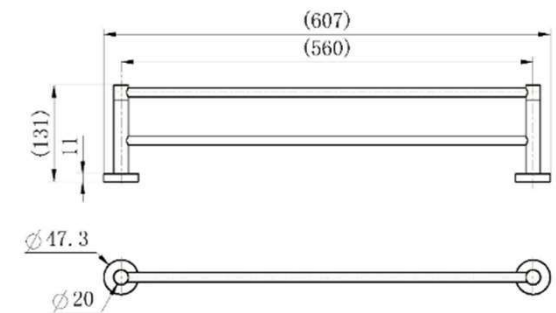
Deluxe Double Towel Rail 600mm

Features

- Chrome – A-DEX48
- Black – A-DEX48BK
- Brushed Nickel – A-DEX48SN
- Brushed Bronze – A-DEX48BM
- Made from Stainless steel
- 15 years replacement warranty including finish

Cleaning & Care

- Regularly clean with mild soapy water
- Do not use harsh detergents, bleach or abrasive cleaners
- The use of any unsuitable cleaning products may damage the surface
- Refer to installation guide for correct installation
- Check for any product defects prior to installation



Available in



Chrome



Matt Black



Silver Nickel



Brushed Bronze