

SPECIFICATIONS – A-DVN021BM + A-SSR015BM



Divine Shower On Rail – Brushed Bronze

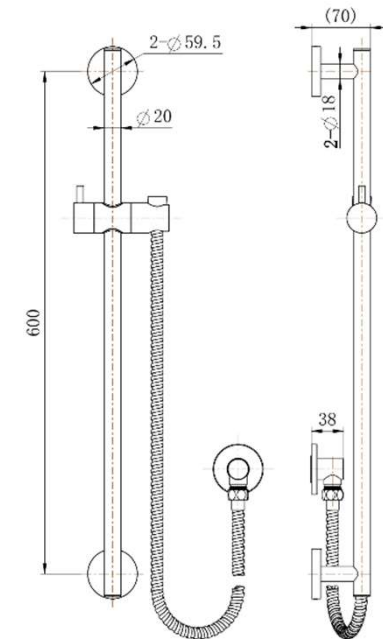
Features



- WELS 3 Star, 9.0L/Min
- Registration number S16674
- Durable PVD finish
- Stainless Steel rail
- Microphone handshower
- 1 Year parts and labour warranty
- 15 years replacement warranty including finish

Cleaning & Care

- Regularly clean with mild soapy water
- Do not use harsh detergents, bleach or abrasive cleaners
- The use of any unsuitable cleaning products may damage the surface
- Refer to installation guide for correct installation
- Check for any product defects prior to installation



Available in



Chrome



Matt Black



Silver Nickel



Brushed Bronze