

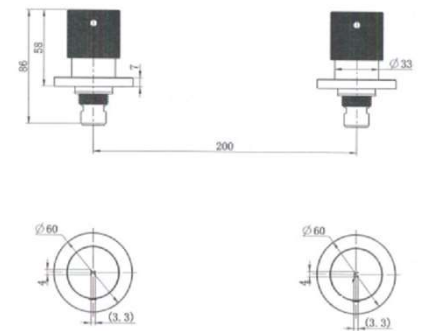
SPECIFICATIONS – CAD017BN



Cadence Wall Top Assemblies – Brushed Nickel

Features

- WELS N/A
- Quarter turn, knurled handles
- Made from solid brass
- Durable PVD finish
- 1yr parts and labour warranty
- 15 years replacement warranty including finish



Cleaning & Care

- Regularly clean with mild soapy water
- Do not use harsh detergents, bleach or abrasive cleaners
- The use of any unsuitable cleaning products may damage the surface
- Refer to installation guide for correct installation
- Check for any product defects prior to installation

Available in



Chrome

Brushed Nickel

Matt Black