

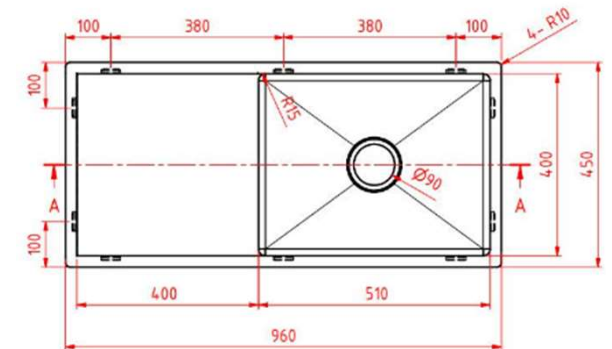
SPECIFICATIONS – M-S209B



Handmade Sink – SS

Features

- 44L Capacity
- 960 x 450 x 210 x 1.2mm
- Left or right drainer
- Top Mount or Undermount
- 304 Grade Stainless Steel
- 1yr parts and labour warranty
- 10 years replacement warranty including finish



Cleaning & Care

- Regularly clean with mild soapy water
- Do not use harsh detergents, bleach or abrasive cleaners
- The use of any unsuitable cleaning products may damage the surface
- Refer to installation guide for correct installation
- Check for any product defects prior to installation

Available in



Brushed Stainless