

SPECIFICATIONS – MED59-1



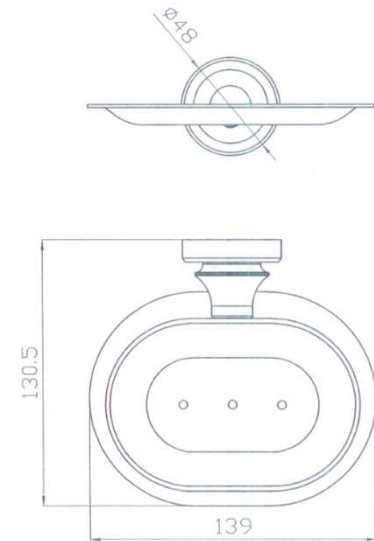
Medoc Soap Dish

Features

- Chrome – MED59-1
- Black – MED59-1BK
- Brushed Nickel – MED59-1BN
- Brushed Bronze – MED59-1BM
- Made from solid brass
- 15 years replacement warranty including finish

Cleaning & Care

- Regularly clean with mild soapy water
- Do not use harsh detergents, bleach or abrasive cleaners
- The use of any unsuitable cleaning products may damage the surface
- Refer to installation guide for correct installation
- Check for any product defects prior to installation



Available in



Chrome



Matt Black



Brushed Nickel



Brushed Bronze