

# SPECIFICATIONS – STRM009BN



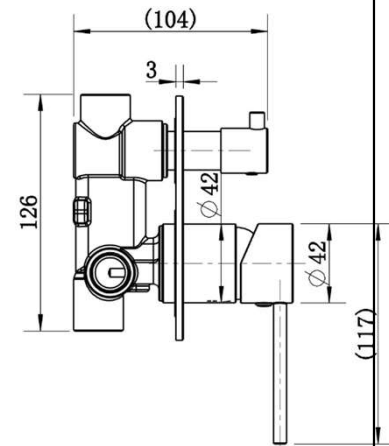
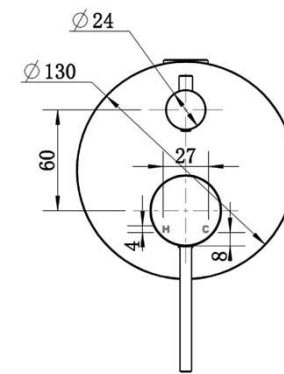
## Star Mini Diverter Shower Mixer – Brushed Nickel

### Features

- Made from solid brass
- Durable PVD finish
- European cartridge
- 1yr parts and labour warranty
- 15 years replacement warranty including finish

### Cleaning & Care

- Regularly clean with mild soapy water
- Do not use harsh detergents, bleach or abrasive cleaners
- The use of any unsuitable cleaning products may damage the surface
- Refer to installation guide for correct installation
- Check for any product defects prior to installation



### Available in

